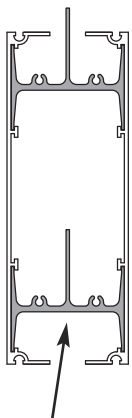
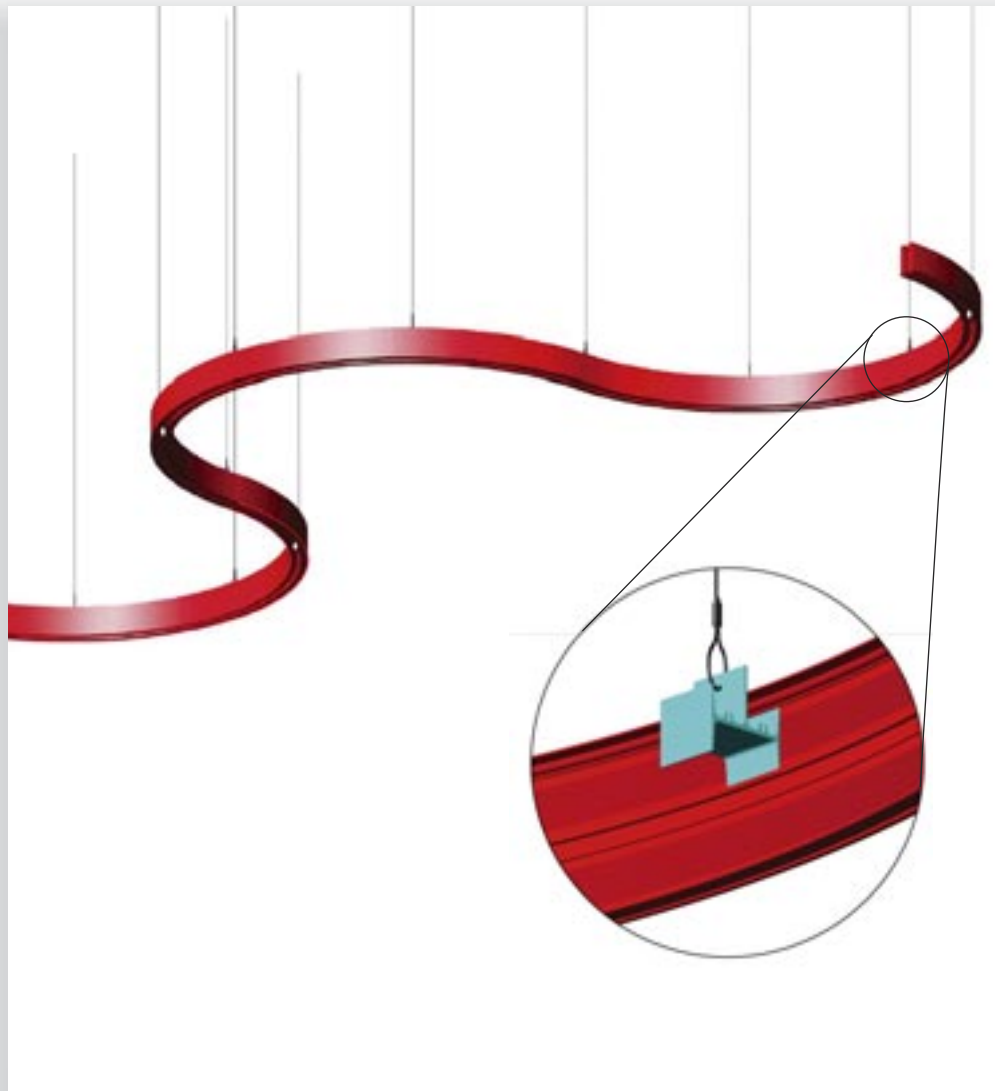


AXIOM®— Paired Trim

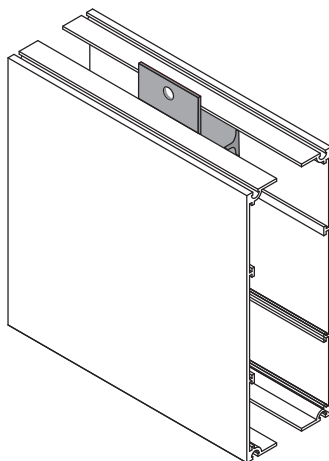


Key Selection Attributes

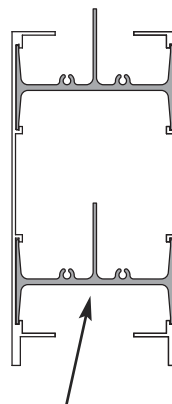
- Design option to accent open plenum spaces or below acoustical ceilings
- Unique system allows tandem sections of curved or straight AXIOM to run parallel with a 5/8" or 1-3/8" reveal between profiles
- 2", 4", 6" or 8" Classic and 2", 4" or 6" Vector profiles offer different visual selections
- Extruded aluminum provides crisp profiles, smooth connections and excellent corrosion resistance compared to steel systems
- Colors coordinate with Armstrong ceiling and grid systems; custom colors available
- Suspended from structure above or below acoustical ceiling
- Accessories available to organize placement of lights
- Factory mitered 90-degree corners; other angles available



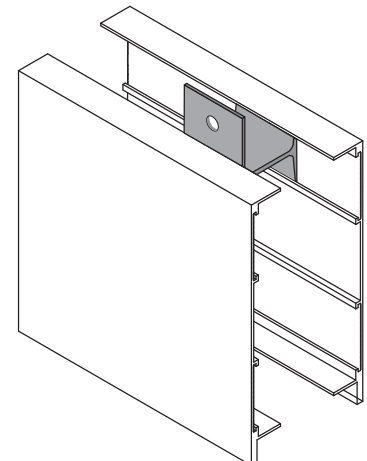
Hanging Bracket
for 5/8" reveal
(AXPHANG58)



Paired Axiom-Classic
available in 2", 4" or 8" profile



Hanging Bracket
for 1-3/8" reveal
(AXPHANG118)



Paired Axiom-Vector
available in 2", 4" or 6" profile

AXIOM®— Paired

Trim

Physical Data

Material

Paired Channel and End Cap: Extruded aluminum, alloy 6063
 Hanging Bracket: Commercial quality aluminum
 Splice Plate: Galvanized steel

Surface Finish

Factory-applied baked polyester paint finish

Joint detail

Splice with set screws

Warranty

10-year limited warranty

Visual Selection

ITEM NUMBER	DESCRIPTION
AXPHANG58	Hanging Bracket for 5/8" reveal
AXPHANG118	Hanging Bracket for 1-3/8" reveal
AX2WEC	Welded End Cap for 2" AXIOM-Classic
AX4WEC	Welded End Cap for 4" AXIOM-Classic
AX6WEC	Welded End Cap for 6" AXIOM-Classic
AX8WEC	Welded End Cap for 8" AXIOM-Classic
AXVE2WEC	Welded End Cap for 2" AXIOM-Vector
AXVE4WEC	Welded End Cap for 4" AXIOM-Vector
AXVE6WEC	Welded End Cap for 6" AXIOM-Vector
AX4SPLICEB	Splice Plate with set screws
AXPAP	Adapter Plate for Electrical Box

Color Selection

STANDARD FINISHES

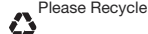
- WH - White**
- CR - Cream
- HA - Haze
- CM - Camel
- PL - Platinum
- BL - Tech Black
- SA - Silver Satin
- BB - Bright Brushed*
- SG - Silver Grey
- MY - Gun Metal Grey
- PW - Pewter**
- BZ - Bronze**
- SL - Silver**
- CP - Copper**
- WK - Wolf**
- VA - Vanilla**
- ST - Slate**

NEW POWDER-COATED FINISHES

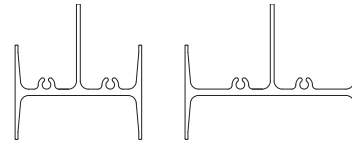
- CB - Carbon
- BC - Burnished Copper
- CT - Copper Black Texture
- FR - Forged Iron
- GR - Graphite
- MC - Mica
- NK - Nickel
- PR - Pewter Luster
- SV - Silver Slate
- SR - Steel Luster
- TC - Textured Carbon

NOTE: Items AXHGC, AX2HGC, AXSPLICE, AX4SPLICEB, AXTBC, AXPHANG58, AXPHANG118 are available in unpainted only.
 * Bright Brushed is only available on AXIOM-Classic (straight and curved), 2", 4", 6" and 8", and AXIOM-Vector products.
 ** "S" Service items available only as special order
 *** Use White for field-painted options.

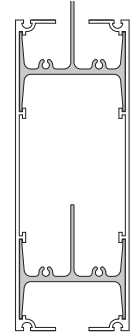
TechLineSM / 1 877 ARMSTRONG
 1 877 276 7876
armstrong.com/axiom
 CS-3686-209



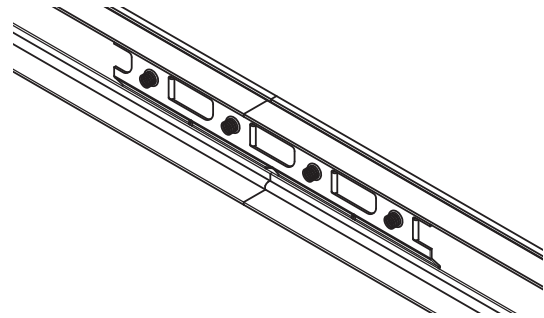
Details



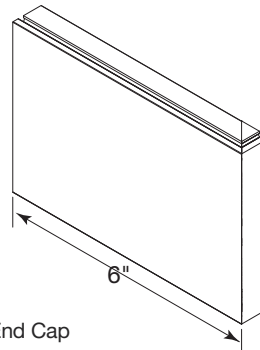
Hanging Bracket for 5/8" reveal (AXPHANG58)
 Hanging Bracket for 1-3/8" reveal (AXPHANG118)



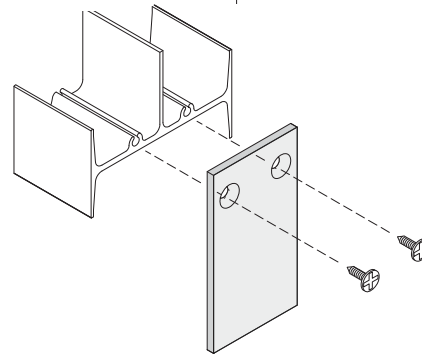
NOTE: For all 4", 6" or 8" profiles, stack two Hanging Brackets on top of each other and place every 4' on center. Paired sections less than 4' long require two sets of Hanging Brackets per section.



Connection with Splice Plate (AX4SPLICEB)



End Cap



Adapter Plate to mount an electric box (AXPAP)

