

LINEAGE™ Wood Looks Laminate Plank Ceilings

Installation Instructions

Lineage planks should be unpacked in the area they will be installed at least 24 hours before installation.

The planks can be installed directly to wood joists as long as the joist spacing is no more than 24". Planks can be installed over plaster or drywall only if metal or wood furring is installed (no more than 24" on center) to provide an air space behind the planks.

The planks will run in the direction opposite of the joists (if attached directly) or opposite of the metal or wood furring strips. Planks must be installed with 1/2" clearance from all walls.

Use normal woodworking tools to cut the planks to length and to accommodate penetrations such as sprinklers and lights.

In areas of high humidity such as bathrooms, two layers of furring are required to allow air circulation above the planks. Use light fixtures that will not raise the temperature of the planks above 230 degrees Fahrenheit.

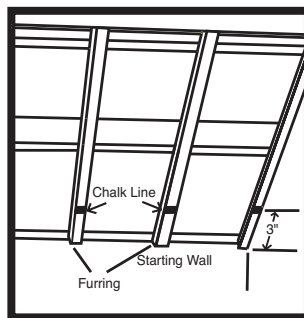
INSTALLATION

If metal or wood furring is required, fasten furring to the joists at least every 24" on center. Shim the furring, if necessary, to ensure a flat surface to install the planks.

The planks are 5 inches wide. Determine the width of the first row of planks to make the first and last rows equal.

Snap a chalk line across the furring or joists where the leading edge of the first row of planks will fall (Illus. C).

Cut the first row of planks 1/2" narrower than the measurement from the wall to the chalk line.

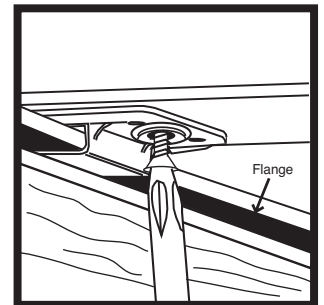


Illus. C

Align the leading edge of the plank (groove edge) with the chalk line. Slide clips into the groove and screw the clips to the underside of the furring or joists (Illus. D).

Allow 1/2" clearance between the end of the plank and the side wall.

Face nail or screw along the long cut edge of the plank to hold up that edge until molding (by others) is installed later. Place the nails or screws close to the cut edge so that they will be hidden by the molding.



Illus. D

Finish the first row of planks and use the leftover length of plank to start the second row. This will usually stagger the end joints of the planks.

Continue to the other end of the area.

When installing the last row of planks, allow 1/2" clearance from the end wall, and secure the last row with face nails or screws like the first row.

Install a decorative molding (by others) to finish the ceiling and cover the perimeter nails or screws.

MAINTENANCE RECOMMENDATION:

Clean with a damp cloth.

▲ CAUTION: WOOD DUST. Sawing, sanding and machining wood products can produce dust. Airborne wood dust can cause respiratory, eye and skin irritation. The International Agency for Research on Cancer (IARC) has classified wood dust as a nasal carcinogen in humans.

MORE INFORMATION

For more information, or for an Armstrong representative, call 1 877 ARMSTRONG.

For complete technical information, detail drawings, CAD design assistance, installation information and many other technical services, call TechLineSM services at 1 877 ARMSTRONG or FAX 1 800 572 8324.

For the latest product selection and specification data, visit armstrong.com/ceilings.

U.S. Patents Pending, including US Publication No. 2004/0182022.

All Trademarks are owned by AWI Licensing Company

LA-297303Web-807

Printed in United States of America

